

LM1 Series

RoHS Directive Products

High Flow Rate Applications

Inlet Pressure	Max.2 MPaG (Max.290 PSIG)
Outlet Pressure	Max.0.8 MPaG (Max.116 PSIG) (Pressure Range: 0~0.2 MPa, 0~0.4 MPa, 0~0.6 MPa, 0~0.8 MPa)
Proof Pressure	3.0 MPa (435 PSI)
CV	1.81
Temperature	-10°C to +40°C
Outboard Leakage	1×10^{-9} Pa · m ³ /sec · He (1×10^{-8} atm · cc/sec · He)
Approximate weight	5.5 kg (12 lbs. 2 oz.)
Installation	Threaded holes on the rear surface

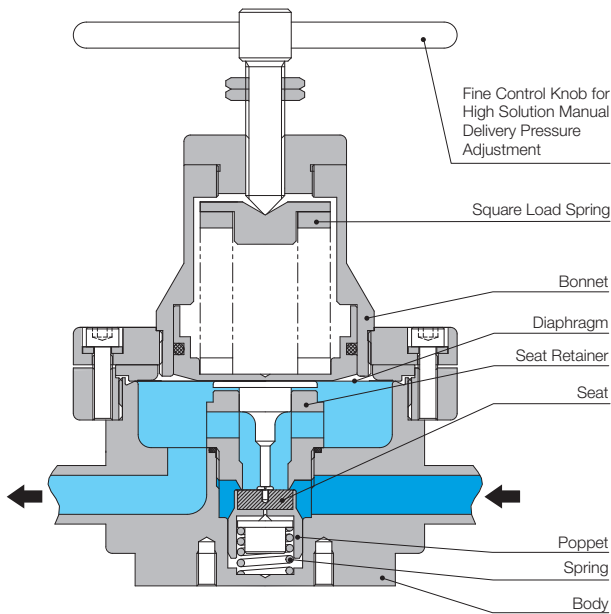
[NOTE]

1MPa = 10.2 kgf/cm² = 145.04 PSI

1MPa = 7504.36 mmHg = 295.4 inHg



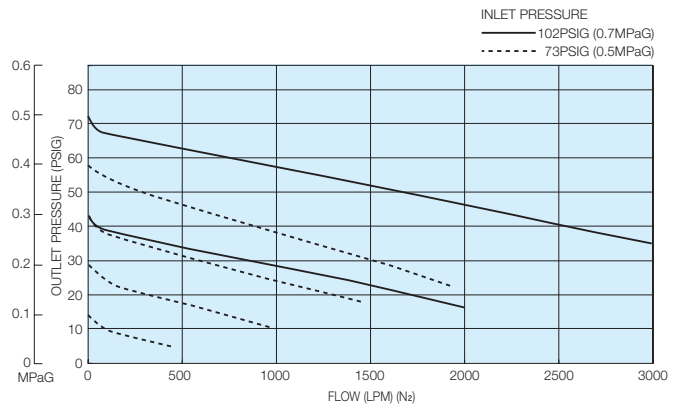
Cross sectional drawing



[NOTE]

- Avoid turning the control knob excessively.
- No filter in this unit.

Flow characteristics



[NOTE]

- These tests were performed at ambient conditions.

