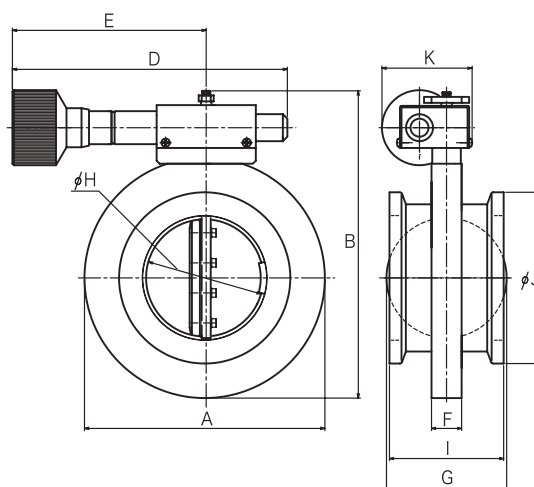


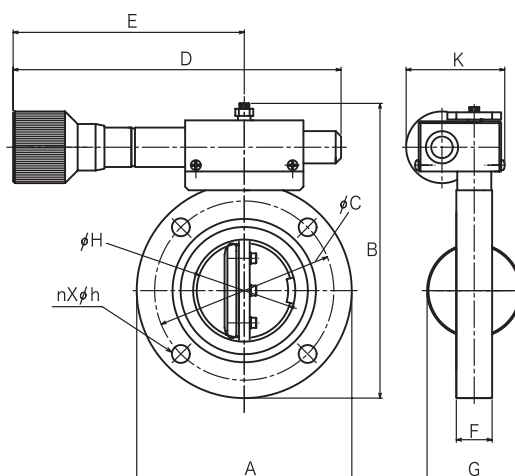
IVWF Series Variable Flow Valve ISO-KF Flange



Unit: inch (mm)

Type	Connection	A	B	K	D	E	H	J	I	F	G
IVWF25FS-NW40	25A	3.54 (90.0)	4.33 (110.0)	2.17 (55.0)	7.20 (183.0)	5.08 (129.0)	1.30 (33.0)	2.17 (55.0)	2.28 (58.0)	0.79 (20.0)	-
IVWF50FS-NW	50A	4.72 (120.0)	6.46 (164.0)	2.17 (55.0)	7.20 (183.0)	5.08 (129.0)	2.02 (51.3)	2.95 (75.0)	2.28 (58.0)	0.79 (20.0)	-
IVWF80FS-NW	80A	6.30 (160.0)	8.07 (205.0)	2.36 (60.0)	7.20 (183.0)	5.08 (129.0)	3.07 (78.0)	4.49 (114.0)	2.99 (76.0)	0.79 (20.0)	3.15 (80.0)
IVWF100FS-NW	100A	7.28 (185.0)	9.02 (229.0)	2.36 (60.0)	7.20 (183.0)	5.08 (129.0)	3.94 (100.0)	5.28 (134.0)	2.95 (75.0)	0.79 (20.0)	4.02 (102.0)

IVWF Series Variable Flow Valve JIS VF/VG Flange



Unit: inch (mm)

Type	Connection	A	B	K	D	E	H	C	F	G	n x h
IVWF25FS-V□	25A	3.54 (90.0)	5.28 (134.0)	2.17 (55.0)	7.20 (183.0)	5.08 (129.0)	1.30 (33.0)	2.76 (70.0)	0.79 (20.0)	1.38 (35.0)	4x10
IVWF50FS-V□	50A	4.72 (120.0)	6.46 (164.0)	2.17 (55.0)	7.20 (183.0)	5.08 (129.0)	2.02 (51.3)	3.94 (100.0)	0.79 (20.0)	2.09 (53.0)	4x10
IVWF80FS-V□	80A	6.30 (160.0)	8.07 (205.0)	2.36 (60.0)	7.20 (183.0)	5.08 (129.0)	3.07 (78.0)	5.31 (135.0)	0.79 (20.0)	3.15 (80.0)	4x12
IVWF100FS-V□	100A	7.28 (185.0)	9.02 (229.0)	2.36 (60.0)	7.20 (183.0)	5.08 (129.0)	3.94 (100.0)	6.30 (160.0)	0.79 (20.0)	4.02 (102.0)	8x12