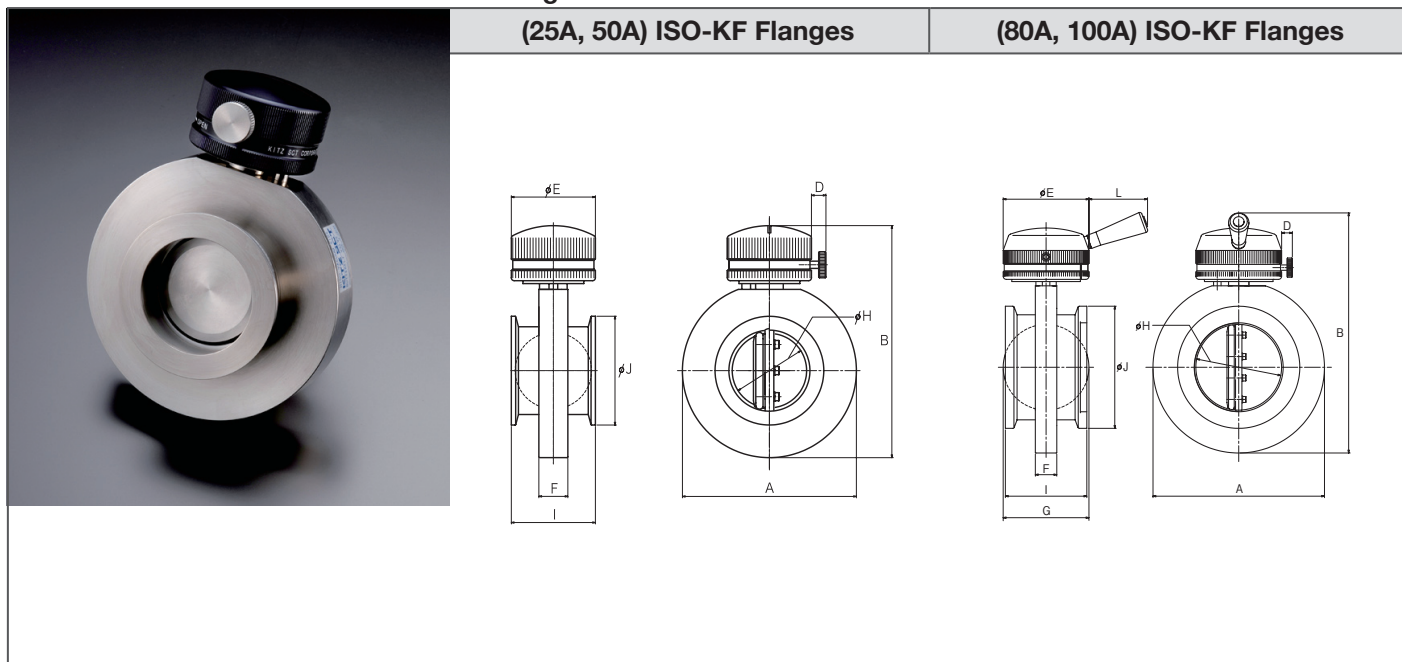


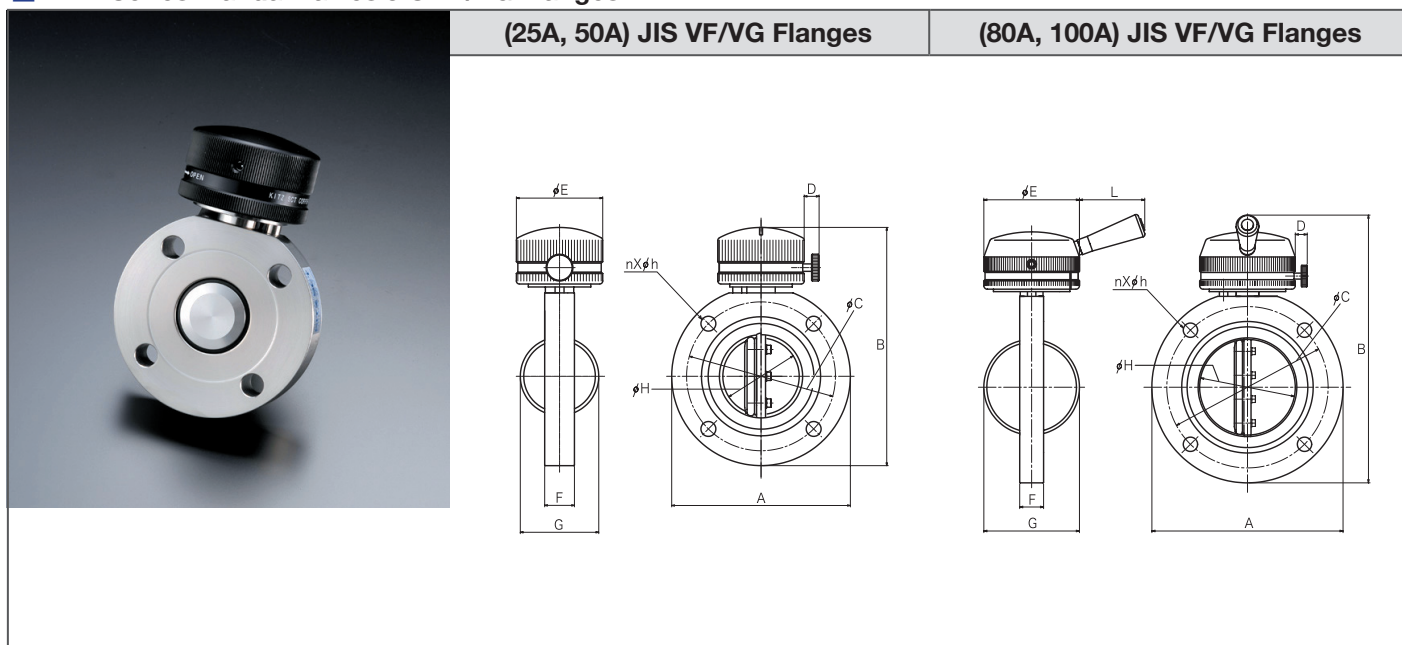
IVWF Series Manual Valves ISO-KF Flanges



Unit: inch (mm)

Type	Connection	A	B	E	J	H	G	I	F	L	D
IVWF25MS-NW40	25A	3.54 (90.0)	5.12 (130.0)	2.28 (58.0)	2.17 (55.0)	1.30 (33.0)	-	2.28 (58.0)	0.79 (20.0)	-	0.39 (10.0)
IVWF50MS-NW	50A	4.72 (120.0)	6.30 (160.0)	2.28 (58.0)	2.95 (75.0)	2.02 (51.3)	-	2.28 (58.0)	0.79 (20.0)	-	0.39 (10.0)
IVWF80MS-NW	80A	6.30 (160.0)	8.86 (225.0)	3.15 (80.0)	4.49 (114.0)	3.07 (78.0)	3.15 (80.0)	2.99 (76.0)	0.79 (20.0)	2.17 (55.0)	0.39 (10.0)
IVWF100MS-NW	100A	7.28 (185.0)	9.84 (250.0)	3.15 (80.0)	5.28 (134.0)	3.94 (100.0)	4.02 (102.0)	2.95 (75.0)	0.79 (20.0)	2.17 (55.0)	0.39 (10.0)

IVWF Series Manual Valves JIS VF/VG Flanges



Unit: inch (mm)

Type	Connection	A	B	E	H	C	G	F	L	D	n x h
IVWF25MS-V□	25A	3.54 (90.0)	5.12 (130.0)	2.28 (58.0)	1.30 (33.0)	2.76 (70.0)	1.38 (35.0)	0.79 (20.0)	-	0.39 (10.0)	4 x 10
IVWF50MS-V□	50A	4.72 (120.0)	6.30 (160.0)	2.28 (58.0)	2.02 (51.3)	3.94 (100.0)	2.09 (53.0)	0.79 (20.0)	-	0.39 (10.0)	4 x 10
IVWF80MS-V□	80A	6.30 (160.0)	8.86 (225.0)	3.15 (80.0)	3.07 (78.0)	5.31 (135.0)	3.15 (80.0)	0.79 (20.0)	2.17 (55.0)	0.39 (10.0)	4 x 12
IVWF100MS-V□	100A	7.28 (185.0)	9.84 (250.0)	3.15 (80.0)	3.94 (100.0)	6.30 (160.0)	4.02 (102.0)	0.79 (20.0)	2.17 (55.0)	0.39 (10.0)	8 x 12