

FCD Pneumatic Valve

Product Code Format

FCDN S -

② ③ ⑤ ⑥ ⑦ ⑧

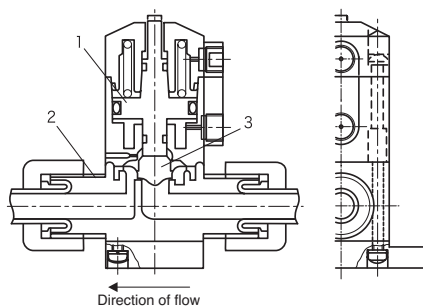
(Please refer to the products code table on P. 84 for details)



Cutaway Drawing

Valve Size		1/4"	3/8"	1/2"	3/4"	1"
Fluid Temperature (°C)		5~100				
Ambient Temperature (°C)		0~60				
Proof Pressure (MPa)		145 (1.0)				
Operating Pressure psi (MPa)	Positive Pressure	87 (0.6)	72 (0.5)	72 (0.5)	72 (0.5)	72 (0.5)
	Back Pressure	72 (0.5)	58 (0.4)	58 (0.4)	58 (0.4)	58 (0.4)
Allowable Leakage at Seat (cm ³ /min)		0 (with water)				
Orifice Diameter / inch (mm)		0.16 (4.0)	0.39 (10.0)	0.39 (10.0)	0.63 (16.0)	0.87 (22.0)
Cv		0.3	1.1	1.7	4.6	10
Actuation Type		NC/NO/ Double Action (DA)				
Actuation Pressure (MPa)		NC 0.4-0.6, NO/DA 0.4-0.5				
Operation Air Inlet		Rc 1/8 (Attach a resin R1/8 Fitting at 0.4-0.6N·m to the actuation air inlet port.)				

Cutaway Drawing



Standard Components

No.	Part Name	Material
1	Actuator	PPS
2	Body	PFA
3	Diaphragm	PTFE
4	Base	PPS