

# FCDT (Fluorine resin diaphragm valve for 200°C)



## Features

- Maximum fluid temperature up to 200°C.
- Open/close indicator for pneumatic valve is installed as standard feature.
- Padlock can be installed into manual valve handle to prevent human error.
- Toggle handle for manual valve has 3 steps and can hold at 2 position in between fully closed and fully open.

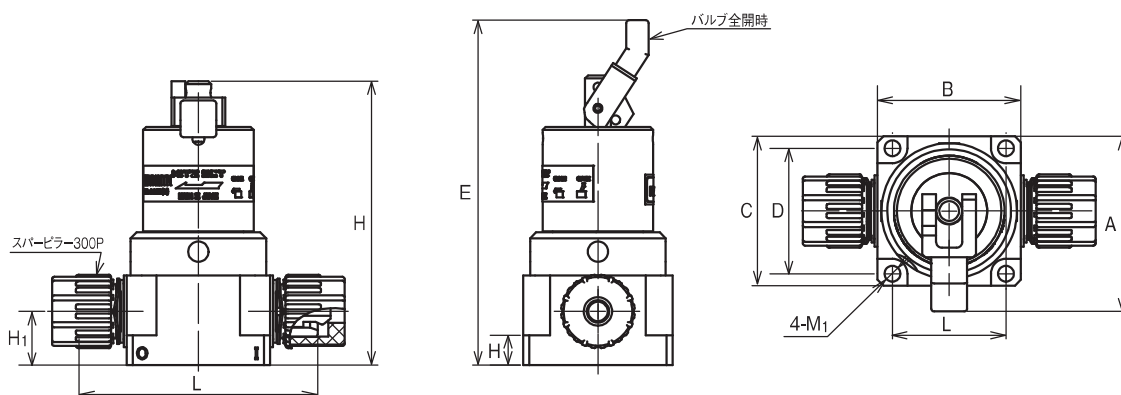
## Standard Components

No.	Part Name	Material
1	Actuator	PVDF,PPS
2	Body	PTFE
3	Diaphragm	PTFE

## Specifications

Valve Size	FCDT06	FCDT08
Fluid Temperature(°C)	+20°C~+200°C	
Atmospheric Temperature(°C)	+20°C~+80°C	
Proof Pressure(MPa)	0.5MPa	
Actuation Pressure(MPa)	Positive Pressure	0~29.01psi (0.2MPa(G))
	Back Pressure	0~14.50psi (0.1MPa(G))
Allowable Leakage at Seat(cm <sup>3</sup> /min)	0 (with water)	
Orifice Diameter (inch(mm))	φ9.6	
Cv	0.9	1.1
Actuation Type	Manual/N.C./N.O	
Actuation Pressure (MPa)	N.C:58.02psi (0.4MPa(G))~87.02psi (0.6MPa(G)), N.O:65.27psi (0.45MPa(G))~79.77psi (0.55MPa(G))	
Operation Air Inlet	Rc1/8(Attach a resin R1/8 Fitting at 0.4-0.6 N·m to the actuation air inlet port.)	

## Outside Drawing



## Dimensions

Unit: inch (mm)

Size	FCDT											
	A	B	C	D	E	F	G	H	H <sub>1</sub>	L	M	M <sub>1</sub>
3/8"	2.32 (59.0)	1.89 (48.0)	1.97 (50.0)	1.65 (42.0)	4.57 (116.0)	0.39 (10.0)	3.74 (95.0)	0.71 (18.0)	3.15 (80.0)	1.26 (32.0)	1.50 (38.0)	φ0.17 (φ4.3)
1/2"	2.32 (59.0)	1.89 (48.0)	1.97 (50.0)	1.65 (42.0)	4.57 (116.0)	0.39 (10.0)	3.74 (95.0)	0.71 (18.0)	3.35 (85.0)	1.26 (32.0)	1.50 (38.0)	φ0.21 (φ5.3)