

# LH2 Series

RoHS Directive Products

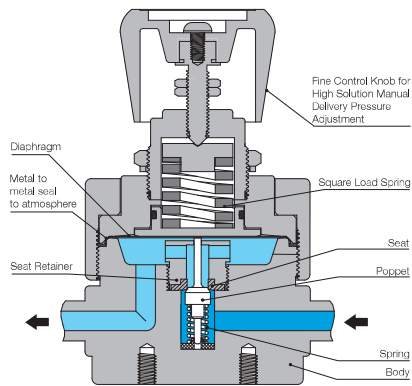
## High Flow Rate Applications (Needle Type)



Inlet Pressure	Max.6 MPaG (Max.870 PSIG)
Outlet Pressure	Max.0.8 MPaG (Max.116 PSIG) (Pressure Range: 0~0.2 MPa, 0~0.4 MPa, 0~0.6 MPa, 0~0.8 MPa)
Supply Pressure Effect	0.0019 MPaG (0.28 PSIG) per 0.1 MPaG (14.5 PSIG)
Proof Pressure	9.0 MPa (1,305 PSI)
CV	0.60
Temperature	-10°C to +40°C
Outboard Leakage	1×10 <sup>-11</sup> Pa·m <sup>3</sup> /sec·He (1×10 <sup>-10</sup> atm·cc/sec·He)
Internal Volume	32.3 cc (1.95 in <sup>3</sup> ) w/o fittings
Approximate weight	4.7 kg (10 lbs, 6 oz.)
Installation	Threaded holes on the rear surface or Panel mounting

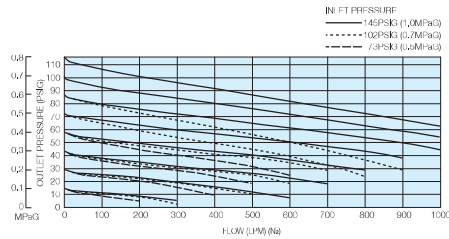
[NOTE]  
1MPa = 10,2 kg/cm<sup>2</sup> = 145,04 PSI  
1MPa = 7504,36 mmHg = 295,4 inHg

### Cross sectional drawing



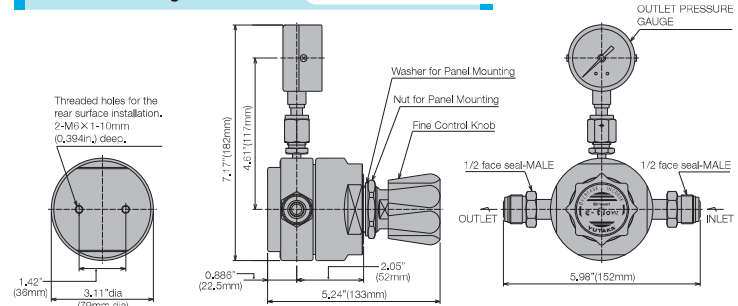
[NOTE]  
· Avoid turning the control knob excessively.  
· No filter in this unit.

### Flow characteristics



[NOTE]  
· These tests were performed at ambient conditions.

### Outline drawing



[NOTE]  
· Dimensions are in inches and (mm) for reference only.  
· Face to face length of the male and female are the same.  
· Subject to change without notice.

### Materials of construction

MODEL & TYPE	LH2SS	LH2SH	LH2SS-C0	LH2SH-CL2	LH2SS-N20	LH2SS-NH3
<b>Wetted Parts</b>						
Body	SUS316L					
Poppet	SUS316	Hastelloy® C-22	SUS316	Hastelloy® C-22	SUS316	
Seat Retainer	SUS316L	Hastelloy® C-22	SUS316L	Hastelloy® C-22	SUS316L	
Diaphragm	Hastelloy® C-22		SUS316L			
Seat	PTFE		Fluoroplastics		Vespel® Special Fluoroplastics	
Spring	SUS316					
Gasket to seal for gauge	Ni		SUS316		Ni	
<b>Non-wetted Parts</b>						
Bonnet	SUS304					
Control Knob	ABS Resin					
O-ring	NBR					

### Wetted surface finishes

Standard Ra (GRADE "B")	32µin. (0,80µm) or less
Optional Ra (GRADE "A")	7µin. (0,18µm) or less

### Standard connections

3/8", 1/2" face to face length of the male and female are the same, .....5.98in. (152mm)

[NOTE]  
· Any combination of Face Seal male and/or female fittings are available for inlet and outlet.  
· Size and configuration of pressure gauge port is 1/4" Face Seal male.

### Ordering information

