

L35 Series RoHS Directive Products

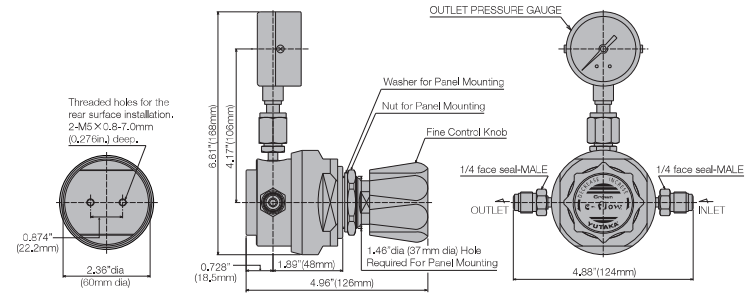
Medium Flow Rate Applications



Inlet Pressure	Max.6 MPaG (Max.870 PSIG)
Outlet Pressure	Max.0.9 MPaG (Max.130.5 PSIG) (Pressure Range: 0~0.2 MPa, 0~0.4 MPa, 0~0.6 MPa, 0~0.9 MPa)
Supply Pressure Effect	0.0007 MPaG (0.10 PSIG) per 0.1 MPaG (14.5 PSIG)
Proof Pressure	9 MPa (1,305 PSI)
CV	0.21
Temperature	-10°C to +40°C
Outboard Leakage	1×10 ⁻¹¹ Pa·m ³ /sec·He (1×10 ⁻¹⁰ atm·cc/sec·He)
Internal Volume	11.3 cc (0.68 in ³) w/o fittings
Approximate weight	1.95 kg (4 lbs. 5 oz.)
Installation	Threaded holes on the rear surface or Panel mounting

[NOTE]
1MPa = 10,2 kg/cm² = 145,04 PSI
1MPa = 7504,36 mmHg = 295,4 inHg

Outline drawing



[NOTE]
· Dimensions are in inches and (mm) for reference only.
· Face to face length of the male and female are the same.
· Subject to change without notice.

Materials of construction

MODEL & TYPE	L35SS	L35SH	L35SH-CL2	L35SS-N2O	L35SS-CO	L35SS-NH3
Wetted Parts						
Body	SUS316L					
Poppet & Seat Retainer	SUS316L	Hastelloy® C-22	SUS316L		SUS316L	
Diaphragm	Hastelloy® C-22			SUS316L	Hastelloy® C-22	
Seat	PCTFE	Special Fluoroplastics	VespeI®	PCTFE	Special Fluoroplastics	
Spring	SUS316					
Gasket to seal for gauge	Ni		SUS316		Ni	
Non-wetted Parts						
Bonnet	SUS304					
Control Knob	ABS Resin					
O-ring	NBR					

Wetted surface finishes

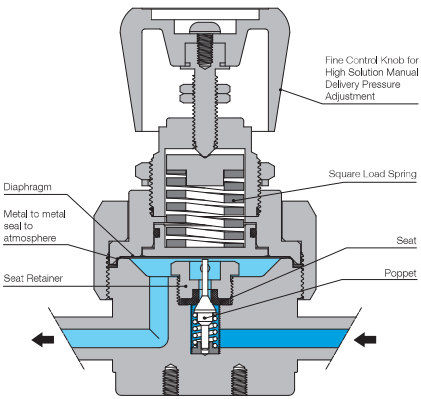
Standard Ra (GRADE "B")	32µin. (0.80µm) or less
Optional Ra (GRADE "A")	7µin. (0.18µm) or less

Standard connections

1/4" face to face length of the male and female are the same. **4.88in. (124mm)**
 1/4" Tube stubs and other connections available as options.
 3/8", 1/2" face to face length of the male and female are the same. **5.2in. (132mm)**

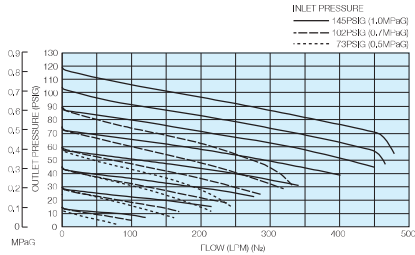
[NOTE]
· Any combination of Face Seal male and/or female fittings are available for inlet and outlet.
· Size and configuration of pressure gauge port is 1/4" Face Seal male.

Cross sectional drawing



[NOTE]
· Avoid turning the control knob excessively.
· No filter in this unit.

Flow characteristics



[NOTE]
· These tests were performed at ambient conditions.

Ordering information

