

L26 Series RoHS Directive Products

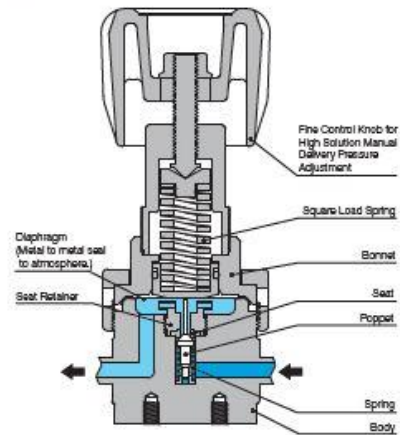
Point-of-Use Pressure Regulator

Inlet Pressure	Max.6 MPaG (Max.870 PSIG)
Outlet Pressure	Max.0.99 MPaG (Max.140 PSIG) (Pressure Range: 0~0.2 MPa, 0~0.4 MPa, 0~0.6 MPa, 0~0.99 MPa)
Supply Pressure Effect	0.001 MPaG (0.145 PSIG) per 0.1 MPaG (14.5 PSIG)
Proof Pressure	22.2 MPa (Inlet side)
CV	0.21
Temperature	-10°C to +40°C
Outboard Leakage	1x10 ⁻¹¹ Pa·m ³ /sec·He (1x10 ⁻¹⁰ atm·cc/sec·He)
Internal Volume	4.75 cc (0.29 in ³) w/o fittings
Approximate weight	1.0 kg (2 lbs. 3 oz.)
Installation	Threaded holes on the rear surface or Panel mounting



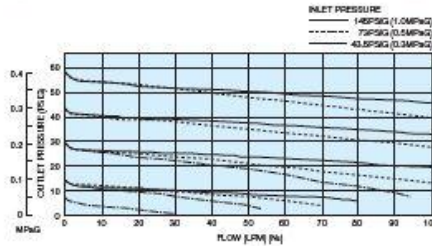
[NOTE]
 1MPa = 10.2 kgf/cm² = 145.04 PSI
 1MPa = 7504.36 mmHg = 295.4 inHg

Cross sectional drawing



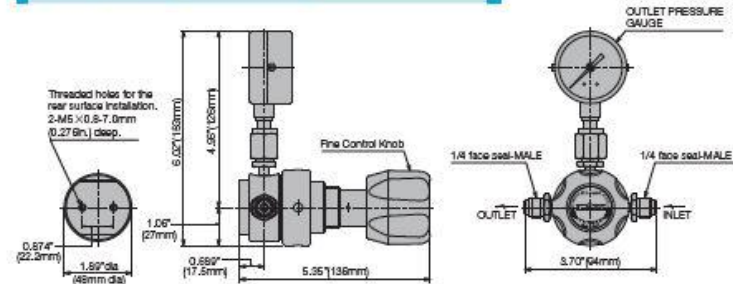
[NOTE]
 · Avoid turning the control knob excessively.
 · No filter in this unit.

Flow characteristics



[NOTE]
 · These tests were performed at ambient conditions.

Outline drawing



[NOTE]
 · Dimensions are in inches and (mm) for reference only.
 · Face to face length of the male and female are the same.
 · Subject to change without notice.

Materials of construction

MODEL & TYPE	L26SS	L26SH	L26SH-CL2	L26SH-N2O	L26SS-CO	L26SS-NH3
Wetted Parts	SUS316L					
Body	SUS316L					
Poppet & Seat Retainer	SUS316L	Hastelloy® C-22	SUS316L			
Diaphragm	Hastelloy® C-22		SUS316L	Hastelloy® C-22		
Seat	PCTFE	Special Fluoroplastics	Veepel®	PCTFE	Special Fluoroplastics	
Spring	SUS316	SUS316				
Gasket to seal for gauge	Ni		SUS316	Ni		
Non-wetted Parts	SUS304					
Bonnet	SUS304					
Control Knob	ABS Resin					
O-ring	NBR					

Wetted surface finishes

Standard Ra (GRADE "B")	32µin. (0.80µm) or less
Optional Ra (GRADE "A")	7µin. (0.19µm) or less

Standard connections

1/4" face to face length of the male and female are the same. 3.70in. (94mm)
 1/4" Tube stubs and other connections available as options.

[NOTE]
 · Any combination of Face Seal male and/or female fittings are available for inlet and outlet.
 · Size and configuration of pressure gauge port is 1/4" Face Seal max.

Ordering information

